

# Children's Fowler Crib

VLT-220



More security in hospital environments.

**ValliTech**  
EQUIPAMENTOS HOSPITALARES

# VLT-220

## Electric Infant Fowler Bed



**BASE**  
Coated with thermoplastic finish with integrated cylinder support in the option with height adjustment.

**BED**  
Articulated in 4 sections, with fowler backrest, leg, and thigh movements, made of painted carbon steel sheets (thermoplastic option available). These movements can be operated by electric motors or manual cranks, depending on the chosen model.

**BUMPER GUARDS**  
High-impact rotating rubber bumpers located at all four corners of the bed.

**HEADBOARD AND FOOTBOARD**  
Removable, made of high-density polyethylene.

**SIDE PROTECTION RAILS**  
Retractable aluminum side rails with locking mechanism. The baluster spacing is 6cm. The rails have a fall damping system to prevent accidents and can be adjusted to 5 different height positions, facilitating the work of the nursing staff.

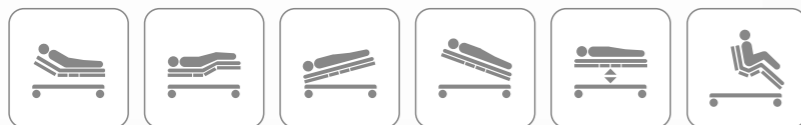
**HEIGHT**  
The infant bed has an optional electric height adjustment and Trendelenburg and reverse Trendelenburg movements to meet the needs of patient care. These movements are controlled by two motorized columns. In the manual version, the Trendelenburg movement is achieved using a gas spring.

**CONTROLS**  
Operated through the footboard satellite and/or wired remote control. When the footboard satellite is used, the movements can be selected. Additionally, when the footboard satellite is chosen, unique buttons for electric CPR and Trendelenburg are available. The Trendelenburg movement is controlled by a gas spring.

**CASTERS**  
Equipped with individual brakes.

**PAINT**  
Electrostatic powder coating with anti-corrosion efficiency through the nano-ceramic phosphatization process.

**OPTIONS**  
• IV Pole.



**Grid Control and Supervisor Command**  
 (Optional): allows for controlling bed rail locks and bed functions in a supervisory position.



## VLT-220

Children's Fowler Crib – Fixed Height



### BASE

Built with carbon steel tubes. Thermoplastic finishing fairing.

### MATRESS PLATFORM

Articulate, made of carbon steel plates.

### SHOCKHOLDERS

High impact rotating bumpers, made of polyethylene, located at the four corners of the bed ("roller bumpers").

### HEADBOARD AND FOOTBOARD

Removable, in high-density polyethylene.

### SIDERAILS

Retractable, in aluminum, with locking on the side of the bed. Spacing of 62 mm between balusters.

### MOVEMENTS

The cranks can be used to control the Fowler's movements of the legs and back. The Trendelenburg movement is controlled by a gas spring.

### CASTERS

4" diameter wheels, all with brakes.

### PAINTING

Electrostatic powder painting, with anticorrosive efficiency through the nano-ceramic phosphatization process.

### OPTIONALS

- IV Pole.

Ease of patient access.



# Technical Parameters

Vallitech beds are designed and manufactured to ensure that the daily use in the hospital does not bring premature and/or permanent wear and tear to the equipment.

They are produced with a high-quality carbon steel structure, coated with electrostatic paint and designed with the help of finite element engineering software, which simulates the efforts and tensions of severe use in a hospital.

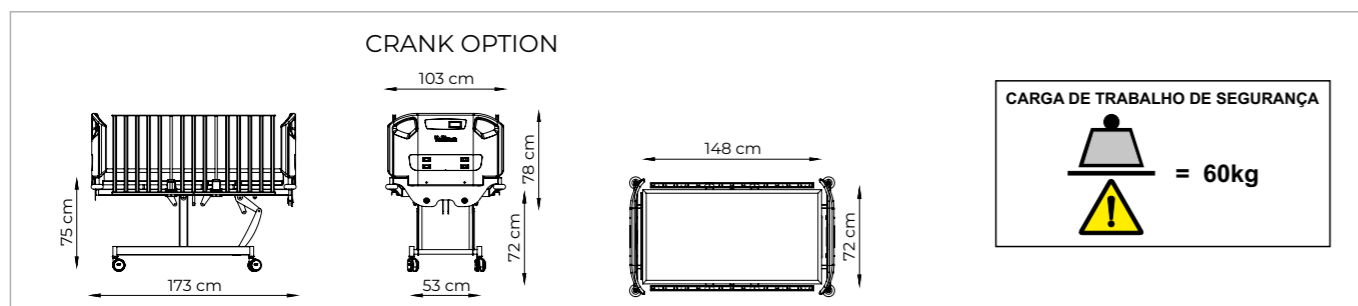
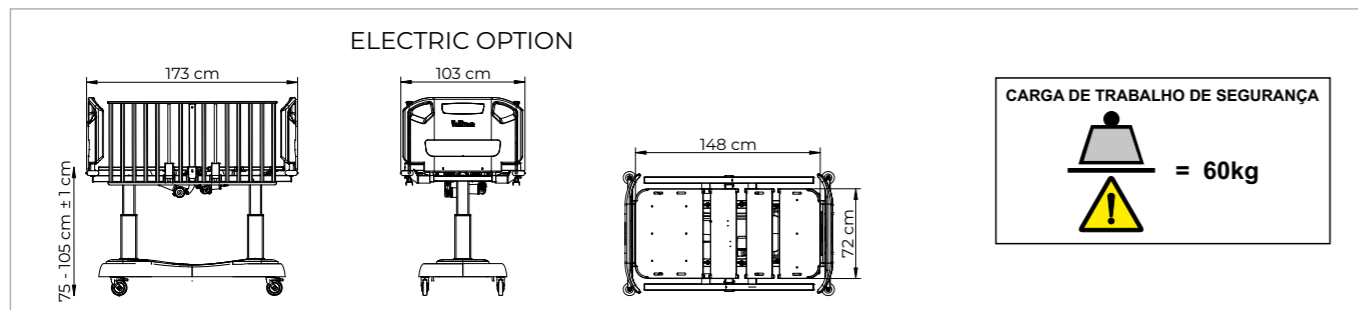
With these results it is possible to predict and reinforce the main points of demand, bringing a much longer useful life to the product.

They are exhaustively tested in the laboratory and in the factory to guarantee an extended useful life of 10 years, without noise, vibrations, and deformations.



Function	Parameter
Overall length	1,73m (± 0,01 m)
Total width	1,03 m (±0,01 m)
Fixed height option (manual or electric)	0,75 m(± 0,01 m)
Height adjustment range (optional electric)*.	0,75 m – 1,05 m (± 0,01 m)
Mattress platform	0,72 m × 1,48 m (± 0,01 m)
Maximum backrest angle (manual or electric)	60° (± 5°)
Maximum leg elevation angle (manual or electric)	25° (± 5°)
Trendelenburg position (pneumatic in the manual version and motorized in the electric version)	16° (± 2°)
Reverse Trendelenburg position (only available in the version with height adjustment)*	16° (± 2°)
Height of the side rails from the mattress platform	53 cm
Maximum recommended mattress height	12 cm
Maximum safe load capacity	150 kg
Dimensions of the casters	100, 125 e 150 mm
Braking system	Individual braking on each caster or central pedal braking (optional)
Mechanical CPR	Optional
Electronic CPR	Standard in the electric version
Radiolucent backrest (X-ray compatible)	Optional
Oxygen support	Optional in the manual and fixed electric version Standard in the electric version with height adjustment
Removable headboard and footboard	Standard
Side rails	Aluminum with 6 cm spacing
Socket for IV pole support at all four corners of the bed	Standard
Night light*	Standard
Control panel (electric version)*	Wired remote control and/or footboard satellite control
Support for collection bag	Standard
Bed	Painted sheet (standard) ABS (optional)
Auto-contouring*	Standard
IV pole support	Optional
Patient exit alarms*	Optional
Seated patient alarm*	Optional
Pressure ulcer alarm*	Optional
Fall risk alarm*	Optional
Activated brake alarm*	Optional
30-degree backrest alarm*	Optional
Minimum height indicator*	Optional
Remote monitoring*	Optional
Power supply*	100 – 240 VAC, 50 – 60 Hz
Battery backup*	Sim
Waterproof protection*	IPX4
Digital scale*	Opcional
Regulatory standards	IEC 60601-1 IEC 60601-1-2

\*Available only in the electric version





Innovating in Hospital Safety



BOAS PRÁTICAS DE FABRICAÇÃO



Autorização de funcionamento junto ao Ministério da Saúde / Agência Nacional de Vigilância Sanitária nº 801.056-7.

