

VLT-426

Clinical Examination Table



STRUCTURE

Made of compacted fiber wood (MDF) 18 mm with internal and external decorative laminate lining. It has 4 drawers with total opening through telescopic slides.

MATRESS PLATFORM

Upholstered in D-26 foam with leather covering and height adjustment on the headboard.

PULLERS

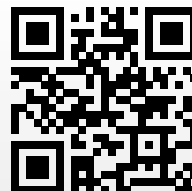
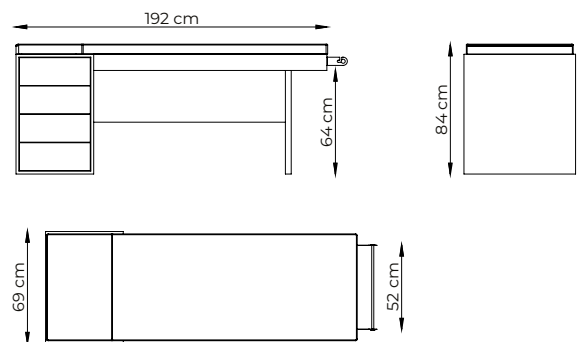
In aluminum.

FEET

Levelers.

PAINTING

Powder electrostatic painting, with anticorrosive efficiency through phosphatization.



ValliTech
MÓVEIS HOSPITALARES

+55 41 3665.5700 | vallitech.com.br